

OPERATING MANUAL

CHINA BAOTAI SCIENCE AND TECHNOLOGY CO.,LTD



BT-50A



BT-50C

TDW-BT50 Series Pump



OPERATING MANUAL

CHINA BAOTAI SCIENCE AND TECHNOLOGY CO.,LTD

Summary

General Data	3
Technical Specifications.....	4
Caution.....	4
Drawing.....	5
Calibration	5
Diagram & Parts List.....	6
Guarantee Term.....	8

OPERATING MANUAL

CHINA BAOTAI SCIENCE AND TECHNOLOGY Co.,Ltd

1. General Data

Safety recommendations

Security consulting of operation instructions, all sorts of different levels of risk.

These are used by the following keywords or pictographic ruby roth specifications identified in:




Icon	Keywords	Consequence,If the security requirements are not fulfilled
	Dangerous	Death or serious injury
	Warning	Possibly death or serious injury
	Watch Out	Possibly minor personal injury or property damage or medios

Table 1-1: according to the severity of the risk types and the classification of safety precautions.

The device before put into operation, please read the instruction manual.

2. Used for the purpose of setting

- To observe the operating instructions are part of the concept in accordance with the purposes.
- Q Any use than the intended purpose, etc. (and other means, the use of force), or by modifying Risks and active (modification, non-original parts) may lead to Deliberate use of the intended purpose.
- Responsibility for different damage caused by use of the intended purpose lies with the company operator.
- Before any repair or maintenance, disconnect the equipment.
- Repairs and maintenance should only be performed by qualified personnel.
- For repairs or replacements, use only genuine parts, otherwise the guarantee ceases.

OPERATING MANUAL

CHINA BAOTAI SCIENCE AND TECHNOLOGY Co.,Ltd

3. DESCRIPTION

- Aluminum
- 04 positive displacement piston
- Stainless steel jacketx

4. TECHNICAL SPECIFICATIONS

Working Pressure	≤0.3 Mpa
Flow Rate	45-65 L/m
Dry Vacuum	≥0.054 Mpa
Wet Vacuum	≥0.06 Mpa
Motor Power	0.75 KW
Motor Speed	660 rpm
Vertical Suction Distance	5 meter
Horizontal Suction Distance	80 meter
Working Temperature	-50℃ to 55℃
Noise	≤72dB
Dimension	330mm×260mm×370mm
Net Weight	17 Kg

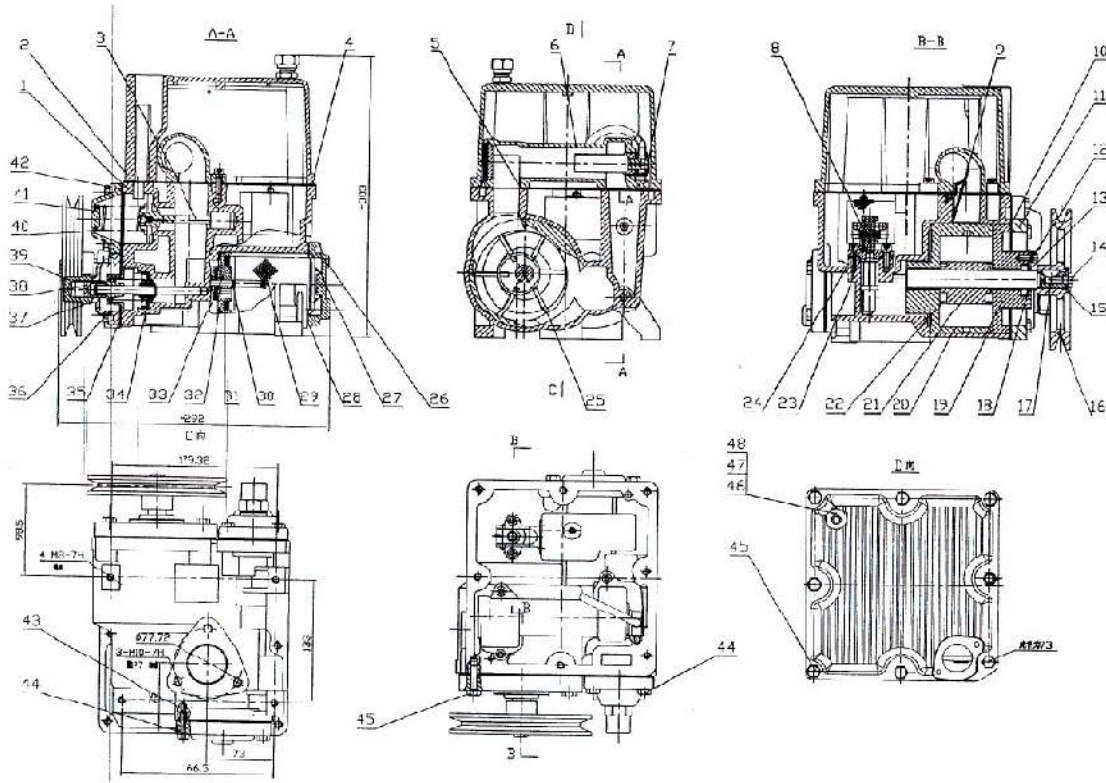
5. Caution

- This item is designed and constructed to meet specific requirements and safety and health.
- After all, this product may also be the source of risk, especially use or do not get the necessary care in accordance with its intended purpose
- .
- P So before this equipment into operation, please read this manual
- In any case, they should always follow local safety regulations and accident prevention and safety advice in the operating instructions.
- Respect the laws and national and local regulations.

OPERATING MANUAL

CHINA BAOTAI SCIENCE AND TECHNOLOGY Co.,Ltd

6. Drawing



7. Calibration

In order to connector flow meters, we offer two type connector ways with flange

1. BT 50A without flange, BT50C with flange.
2. The pump can install the double manifold, then install two flowmeter

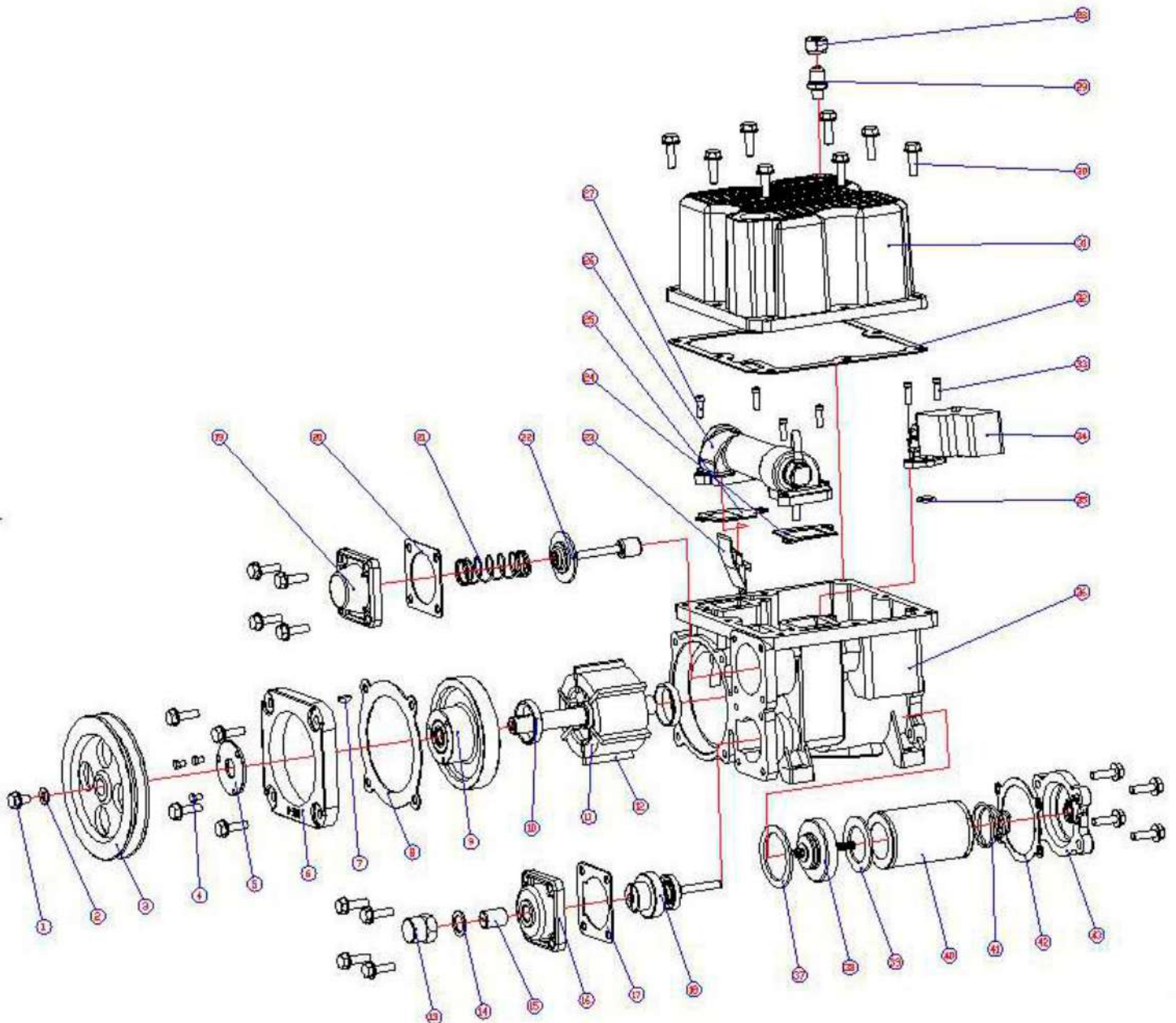


OPERATING MANUAL

CHINA BAOTAI SCIENCE AND TECHNOLOGY Co.,Ltd

8. Diagram & Parts List

Figure: exploded view



OPERATING MANUAL

CHINA BAOTAI SCIENCE AND TECHNOLOGY Co.,Ltd

1	M8*12bolt
2	flat gasket
3	belt pulley
4	M6*12bolt
5	oil seal cover
6	gland
7	Semicircle keys
8	quadrangle flange gasket
9	pump cover subassembly
10	
11	rotor assembly
12	blade
13	seal nut
14	gasket
15	pressure regulating screw
16	flood valve cap
17	flood valve cap gasket
18	flood valve subassembly
19	outlet valve cap
20	outlet valve cap gasket
21	outlet valve spring
22	outlet valve element
23	flow deflector
24	gas piping outlet valve gasket
25	gas piping inlet valve gasket
26	gas piping subassembly
27	M6*25screw
28	air outlet nut
29	air outlet joint
30	M8*30bolt
31	roof cover
32	cork packing
33	screw M8*25
34	float components
35	o ring
36	pump body
37	one-way valve gasket (big)
38	one-way valve subassembly
39	one-way valve gasket (small)
40	Filter
41	Tower spring
42	Filter cap gasket
43	Filter end cap